

LTECH

EX61 Knob Panel



FC CE RoHS (warranty 5 years) ISO9001:2008

Technical Specs

EX61 Dimming Knob Panel

Input Voltage:	100~240Vac	Dimensions:	L86×W86×H50(mm)
Output Signal:	RF 2.4GHz, DMX512	Package Size:	L106×W106×H60(mm)
Working Temp.:	-10°C~55°C	Weight(G.W.):	235g

F4-3A CV Receiver

Input Voltage:	5~24Vdc	Working Temp.:	-30°C~55°C
Current Load:	3A × 4CH Max. 12A	Dimensions:	L125×W33×H20(mm)
Output Power:	(0~15W...72W) × 4CH Max. 288W	Package Size:	L127×W35×H24(mm)
Wireless Signal:	2.4GHz	Weight(G.W.):	60g

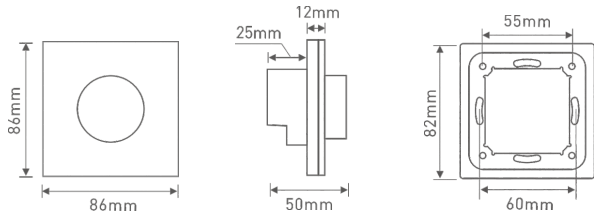
F4-5A CV Receiver (receiver is sold separately)

Input Voltage:	5~24Vdc	Working Temp.:	-30°C~55°C
Current Load:	5A × 4CH Max. 20A	Dimensions:	L175×W44×H30(mm)
Output Power:	(0~25W...120W) × 4CH Max. 480W	Package Size:	L178×W48×H33(mm)
Wireless Signal:	2.4GHz	Weight(G.W.):	150g

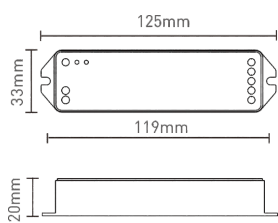
F4-CC CC Receiver (receiver is sold separately)

Input Voltage:	12~48Vdc	Working Temp.:	-30°C~55°C
Output Voltage:	3~46Vdc	Dimensions:	L175×W44×H30(mm)
Output Current:	CC 350/700/1050mA × 4CH	Package Size:	L178×W48×H33(mm)
Output Power:	(1.05W~48.3W) × 4CH Max. 193.2W	Weight(G.W.):	165g
Wireless Signal:	2.4GHz		

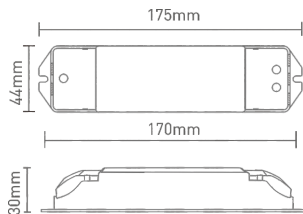
Product Size



Knob Panel



F4-3A



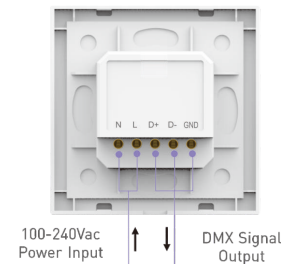
F4-5A/F4-CC

Knob Panel

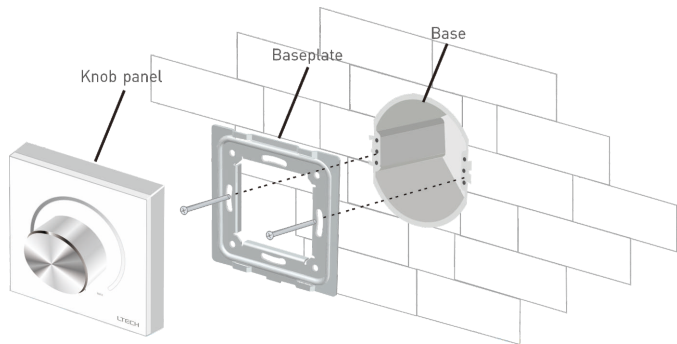


- * Clockwise spin the knob, the brightness increases.
 - * Counterclockwise spin the knob, the brightness decreases.
- Turn off the panel if you spin to the leftmost end (a click can be heard).

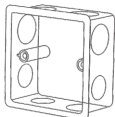
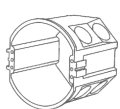
Terminals



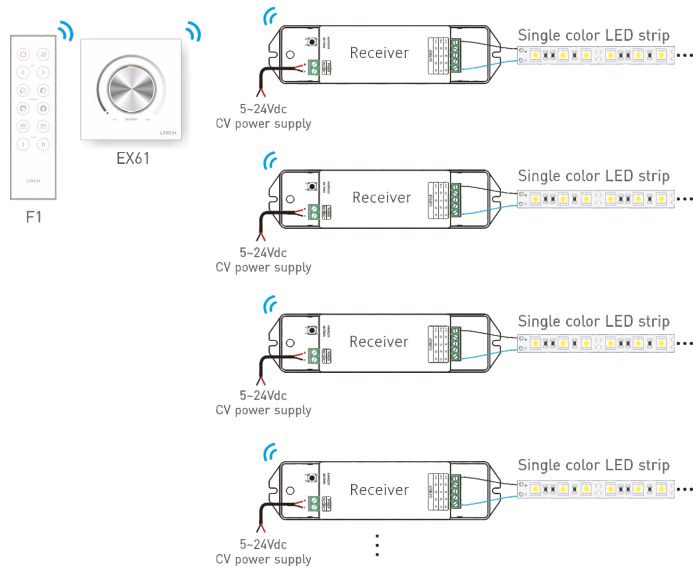
Installation Instruction



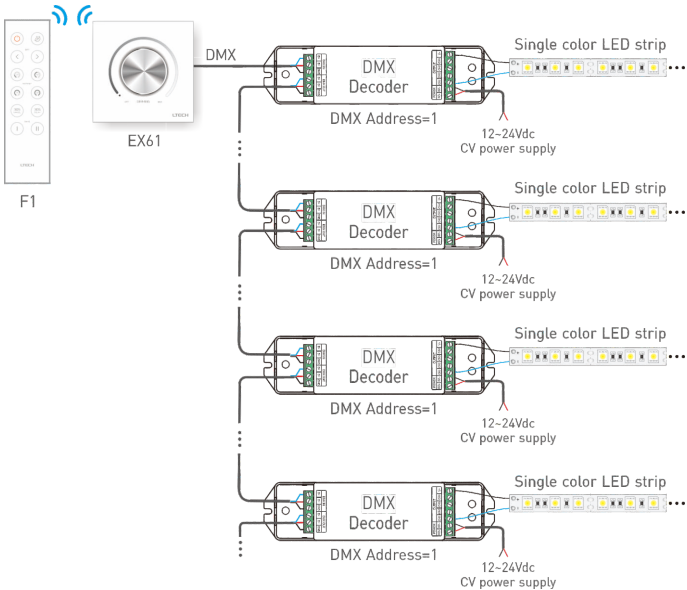
Typical base as below:



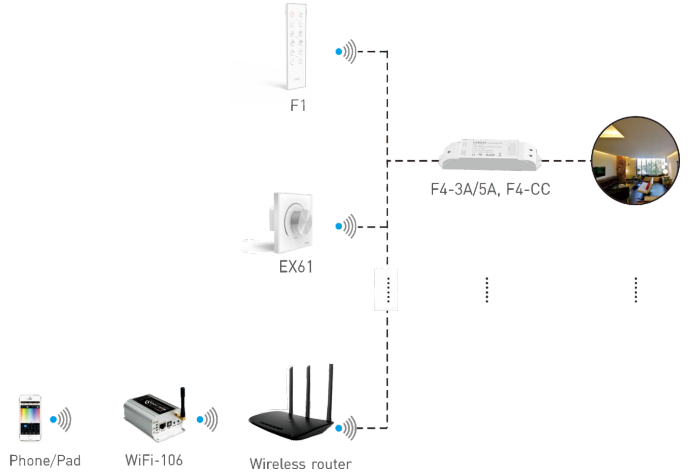
Wireless Wiring:



DMX Wiring:



System Connection Diagram:



Please refer to the relevant product manual for detailed information.

Match code between Touch Panel & Receiver

Match code:

Method 1 : When the knob panel is on and the wiring between receiver and lamps are correct.

1.



Power on the receiver, and complete step 2 within 10s.

2.



Turn off and turn on knob for 3 times continuously (off 1 second , on 1 second), if the buzzer long beep, match successfully.

Method 2 : When the knob panel is on and the wiring between receiver and lamps are correct.

1.



Short press "ID learning button" on the receiver.

2.



Turn off and turn on knob for 3 times continuously (off 1 second , on 1 second), if the buzzer long beep, match successfully.

Clear code:

Method 1: Power on and off the receiver continuously for 5 times, If the buzzer long beep and lamps flicker twice, deactivate the matching successfully.



Method 2: Long press "ID learning button" on receiver for 5 seconds, If the lamps flicker twice, deactivate the matching successfully.



Match Code between Touch Panel & Remote

1.



Turn off and turn on knob 3 times continuously (off 1 second, on 1 second), if the lamp flicker within 10s, match status is activated.

2.



Long press "⏻" key on the remote until the lamp return to normal brightness, match successfully.

- * Exit match status automatically if over 10 seconds.
- * If multiple remote control is needed, the remote can match remote.